



### 1 Beautiful Stitches without Bird-Nest

Initial sewing without bird-nest, and there is no necessary to trim the thread tail, which save time, labor and money.



### 2 Auto-suction Device, Clean Sewing (A6-N)

Less bird-nest and auto-suction device make clean sewing



### 3 Bobbin Thread Detection, High-quality Sewing

Automatically detects the bobbin remaining thread, automatically stops for bobbin replacement warning, keep fabric quality with high yield.



### 4 Puller Device, Feed the Cloth More Stable

Original puller device, smooth sewing, avoid needle breaking for heavy fabric.

### Specification

Model	Needle	Thread No.	Stitch Length (mm)	Presser Foot Lifting Height (mm)	Max. Speed (S.p.m)	Light/Medium Heavy Duty	Heavy Duty	Volume (mm)	Weight (kg)
A6 <sup>+</sup>	DB×1 11-18#	2	5	5-13	5000	✓		695×315×670	45/52
A6 <sup>+</sup> -N	DB×1 11-18#	2	5	5-13	5000	✓		695×315×670	45/52
A6 <sup>+</sup> -7	DB×1 11-18#	2	7	5-13	3500	✓		695×315×670	45/52
A6 <sup>+</sup> -H	DP×5 18-21#	2	5	5-13	3500		✓	695×315×670	45/52
A6 <sup>+</sup> -D	DB×1 11-18#	2	5	5-13	5000	✓		695×315×670	45/52
A6 <sup>+</sup> -PL	DB×1 11-18#	2	5	5-13	5000	✓		695×315×670	45/52

Note: Auto thread trimming, auto reverse, auto presser foot lifter, and electronic thread tension are equipped as standard.  
N: Less bird-nest and pneumatic suction device are equipped as standard; Electronic suction device is optional.  
D: Bobbin thread detection  
PL: Puller device



Jack Wechat



Jack Facebook



## Smart IoT Computerized Lockstitch Machine



A6<sup>+</sup>

2019.09

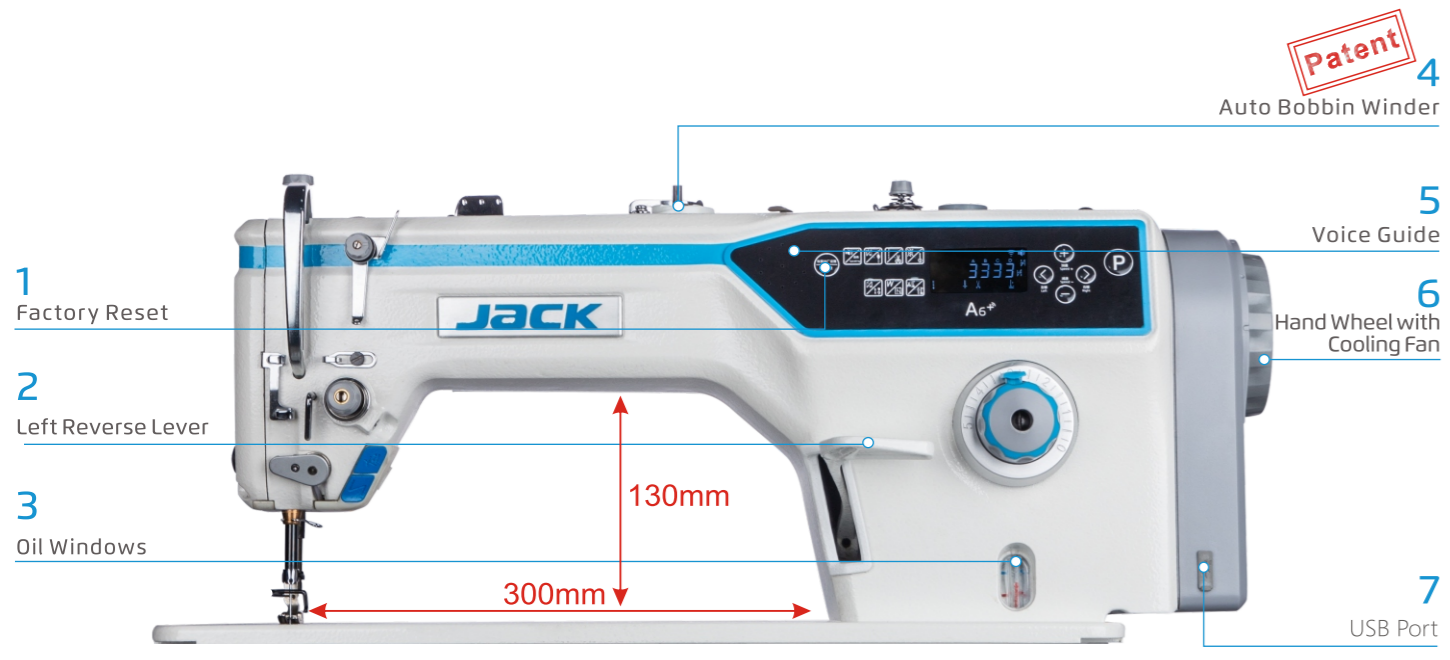
### JACK SEWING MACHINE CO.,LTD.

No. 15 South Airport Road, Jiaojang District, Taizhou, Zhejiang, PRC  
TEL: 0086-576-8817782 8817767  
FAX: 0086-576-8817787

E-mail: sales@chinajack.com  
www.chinajack.com

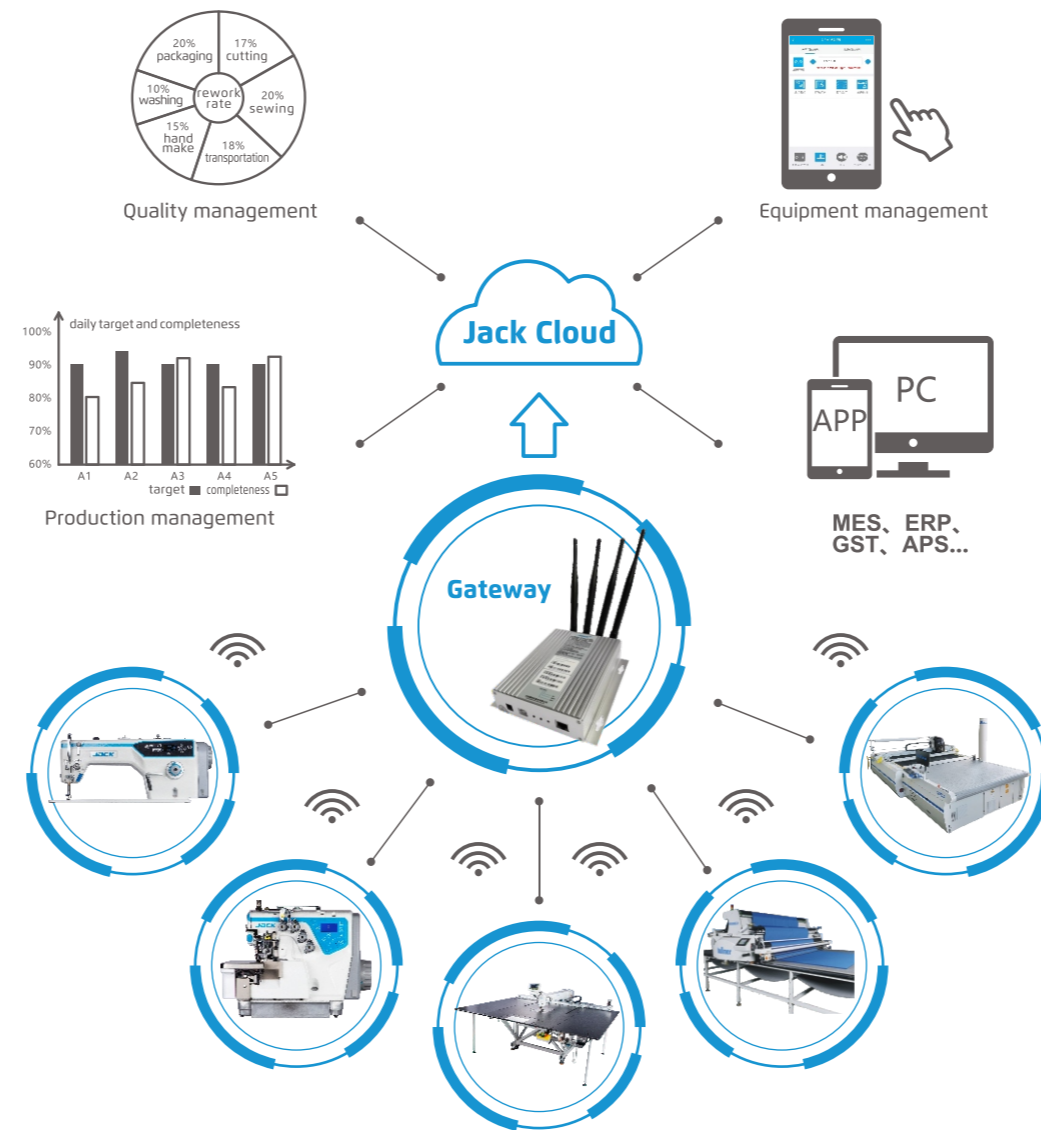
# A6+ Let us help you connect with the intelligent-sewing future

## Everything interconnected, intelligent-sewing future



Online Device, Cloud Data,  
Building a Digital Factory

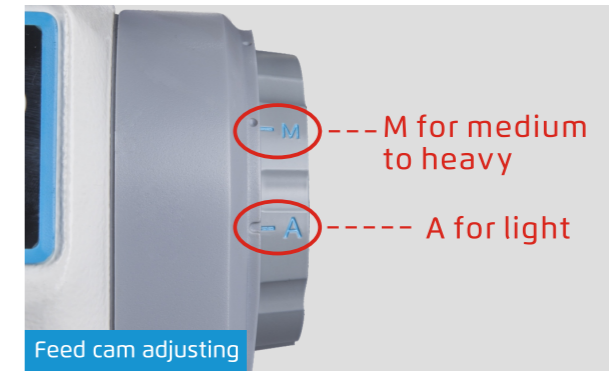
1. Online device, cloud data, cloud application and large screen display to help you build a digital factory.
2. Optimize resource allocation, improve production efficiency and shorten delivery cycle through real-time data analysis.
3. Connected with third-party applications closely, deeply empowering the management of production, equipment, quality, etc.



苹果系统【Apple】



安卓系统【Android】



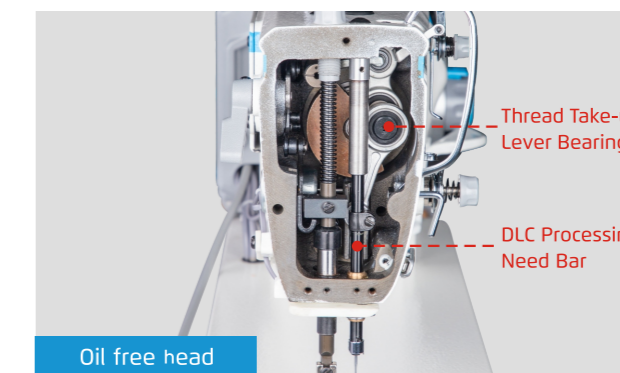
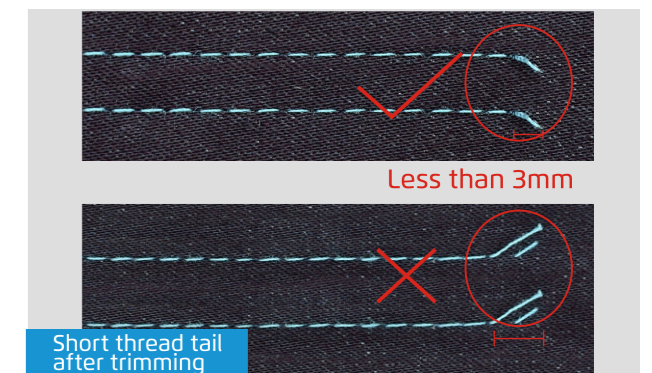
### 1 Adjustable Feed Cam

Easily adjust the sewing to meet different fabric thickness



### 2 Beautiful Stitch, Short Remaining Thread

End sewing remaining thread within 3mm, automatic condense stitch avoid thread loosen, no need to cut remaining thread, saving time, saving money.



### 3 No Oil No Trouble, Clean and Durable

DLC needle bar, bearing thread taking-up and solid oil lubricating, avoid oil drop on fabric, Sealed oil pan, avoid dust entering, perfect lubrication, clean and durable.

